

BEACH STAR

Beach Star beach wheelchair is a great solution partner for people with movement limitations to move comfortably on beaches, sand, gravelly surface and swim in the sea.

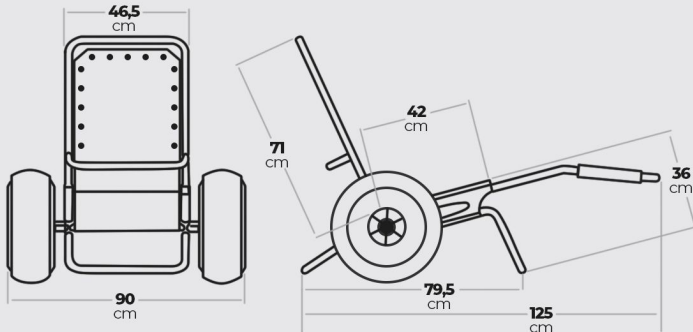
Beach Star beach wheelchair makes your holiday pleasant and safe with its magnificent creation. Beach Star beach wheelchair which provides disabled and elderly people to transfer on beaches, gravelly surfaces and sea can be assembled or disassembled in a few minutes without any help of other equipment.

Beach Star beach wheelchair provides you to use a freedom for years with safe. It is too light with its anti-corrosion chassis and is resistant to pool and sea water. It complies with the directive of EN12182 CE.

The device is completely made of aluminum material and painted by electrostatic powder paint.

The equipments which assist disabled people belong to medical devices class. All the products Nart Access produced are registered in the system of Turkish Republic Ministry of Health (UTS NO: 8683581609217) and called medical devices.

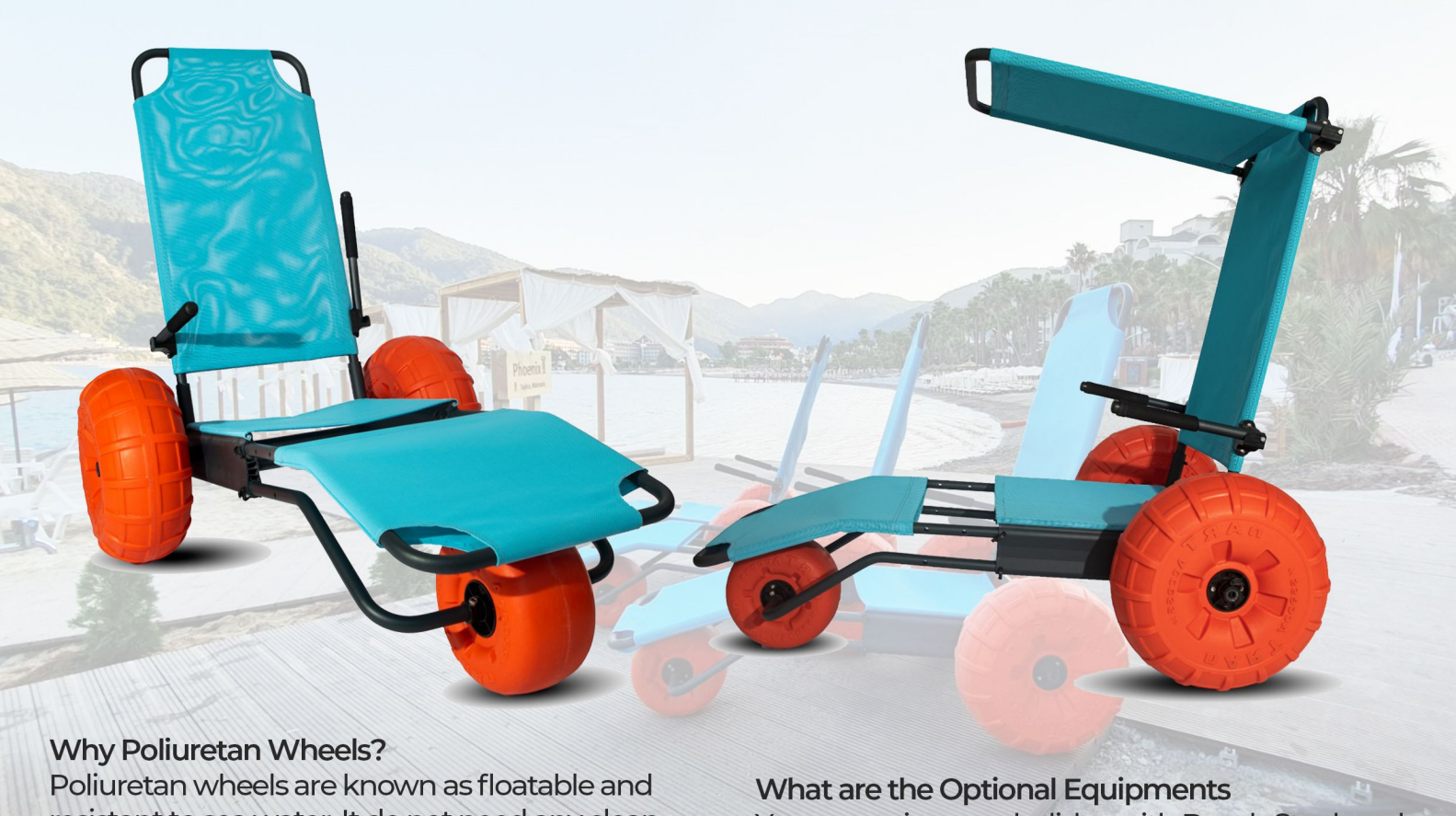
All our products are patented by the Turkish Patent Institute and comply with EU standards



NART
Access >>>



www.hmsmedical.com.au



Why Poliuretanan Wheels?

Poliuretanan wheels are known as floatable and resistant to sea water. It do not need any clean and care if it is exposed to sea water. It never bursts on gravelly surfaces or by cutting agents.

Why Anti-Corrosion Aluminum Chassis

Anti-corrosion aluminum chassis has a guarantee of stainlessness against salt water. Due to this, it does not need any extra effort for care.

What are the Optional Equipments

You can enjoy your holiday with Beach Star beach wheelchair. You can add optional equipments for the safe and comfort of user and companion as you prefer.

Armrests, sun canopy, carrying bag and 3rd wheel kit are additional equipments which you can add to the main product as you prefer.

TECHNICAL SPECS

- Length of chassis: 1050 mm
- Height of seat from the ground: 340 mm
- Gross weight: 9 kg chassis + 4 kg wheels
- Max. carrying capacity: 120 kg
- Weidth of seat: 460 mm
- Depth of seat: 390 mm
- Weidth of seat backrest: 480 mm
- Height of seat backrest: 850 mm
- Adjustable footrest
- 2 years of warranty
- EN12182 CE Directive.

ADVANTAGES

- Foldable and removable chassis
- Anti-corrosion stainlessness specification
- Aluminum chassis
- Easy transfer with removable wheels
- Poliuretanan wheels with non-burst and able to move on sand
- Quick dry fabric with anti-bacterial specification
- Footrest which can be adjustable according to the user's height
- Advantage of armrest, sun canopy, carrying bag and 3rd wheel kit options
- Advantage of armrest, sun canopy, carrying bag and 3rd wheel kit options