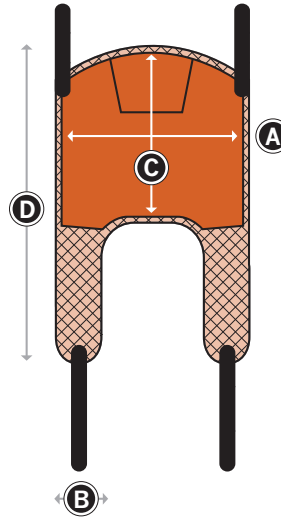




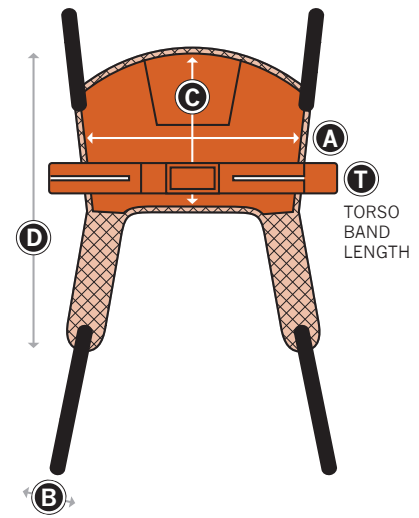
Avant Loop Slings

- Two basic shapes
- Head support as standard
- Universal Safety-Slot attachments
- Modesty loop as standard
- Durable mesh fabric
- Polyester option available
- Machine-washable to 85°C
- Non-fading woven labels
- Unique serial number
- Optional monogramming
- Compliant with AS/NZS ISO 10535:2011

General Purpose Sling



Care Sling



Unique attachment devices



The Safety-Slot is the only alternative sling tape available for standard loop fitting hoists. The streamlined design improves product safety and eliminates associated loop tape fixing hazards. It is slim-line, light-weight, has high tensile strength – and is ergonomically designed to naturally slide into the most optimum position during transfer.

Specifications

Avant general purpose loop sling and care loop sling have dimensions as follows – maximum SWL 320kg

General Purpose Sling – Loop					
	Code	A	B	C	D
Extra Small	AVGPHS02XS	82	21	75	131
Small	AVGPHS02S	82	23	78	138
Medium	AVGPHS02M	92	24	92	141
Large	AVGPHS02L	111	26	100	163
Extra Large	AVGPHS02XL	127	27	102	168
XXL	AVGPHS02XXL	136	29	105	178

Measurements in CM

Care Sling – Loop						
	Code	A	B	C	D	T
Extra Small	AVCHS02XS	68	18	54	86	97
Small	AVCHS02S	85	21	62	118	113
Medium	AVCHS02M	102	22	70	122	122
Large	AVCHS02L	102	22	79	138	132
Extra Large	AVCHS02XL	120	22	81	143	142
XXL	AVCHS02XXL	122	22	81	146	165

Measurements in CM

Distributing for Avant Innovations

T: 1300 106 003

Dir: 07 3117 9539

E: sales@hmsmedical.com.au

