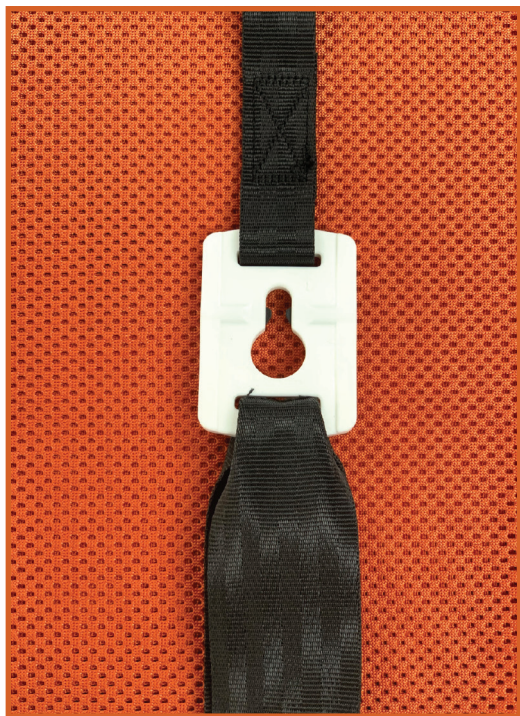


Avant Clip Slings

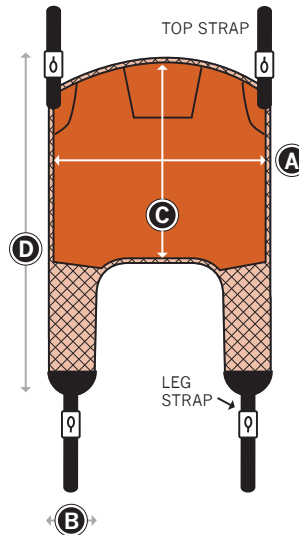
- Two basic shapes
- Head support as standard
- Universal D-clip attachments
- Modesty loop as standard
- Durable mesh fabric
- Polyester option available
- Machine-washable to 85°C
- Non-fading woven labels
- Unique serial number
- Optional monogramming
- Compliant with AS/NZS ISO 10535:2011

Unique attachment devices

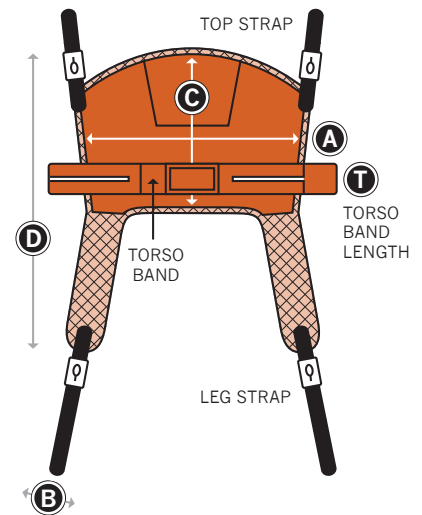


The D-clip universal stud fixing allows for greater hoist compatibility and is suitable for use on most stud/clip fixing spreader bars. Simple click-on and click-off action giving a secure lift to both caregiver and end-user. The patented universal clip has an increased safe engagement action designed to locate safely on a variety of stud sizes.

General Purpose Sling



Care Sling



Specifications

Avant general purpose clip sling and care clip sling have dimensions as follows – maximum SWL 320kg

General Purpose Sling - Clip

| | Code | A | B | C | D |
|-------------|----------|-----|----|-----|-----|
| Extra Small | AVP02XS | 72 | 19 | 58 | 87 |
| Small | AVP02S | 87 | 23 | 83 | 122 |
| Medium | AVP02M | 100 | 27 | 92 | 131 |
| Large | AVP02L | 108 | 26 | 101 | 141 |
| Extra Large | AVP02XL | 117 | 27 | 109 | 154 |
| XXL | AVP02XXL | 132 | 29 | 118 | 171 |

Measurements in CM

Care Sling - Clip

| | Code | A | B | C | D | T |
|-------------|-----------|-----|----|----|-----|-----|
| Extra Small | AVPC02XS | 68 | 17 | 54 | 87 | 98 |
| Small | AVPC02S | 84 | 21 | 63 | 122 | 118 |
| Medium | AVPC02M | 102 | 22 | 70 | 124 | 122 |
| Large | AVPC02L | 103 | 22 | 79 | 136 | 132 |
| Extra Large | AVPC02XL | 122 | 22 | 83 | 143 | 144 |
| XXL | AVPC02XXL | 124 | 22 | 82 | 148 | 166 |

Measurements in CM

Distributing for Avant Innovations